

**Step 1. Install the latch**

- Insert the latch into 1" hole on edge of the door.
- Secure the latch in place with two screws.

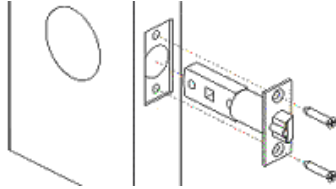


Fig. 1

**Step 2. Install outside lock housing**

- Place the outside rubber gasket (if required) on back of the outside lock housing prior to installation; align the gasket along the edge of the lock housing.
- Insert the square spindle into the center hub. **Ensure that the Dot on center hub is point to left.**

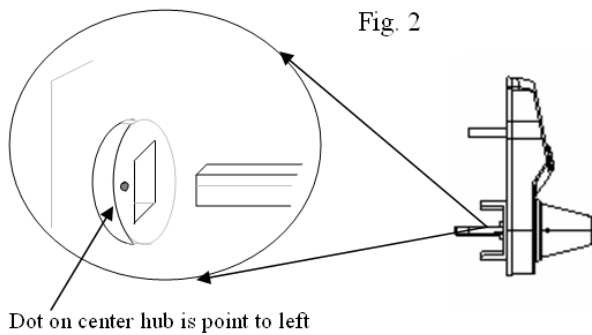


Fig. 2

Dot on center hub is point to left

- Place the outside lock housing against the door, feed the power plug through the 2 1/8" door hole.

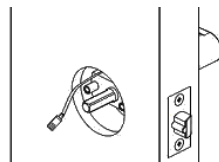


Fig. 3

**Step 3. Install inside mounting plate**

- Place the inside gasket (if required) on the mounting plate, and align the inside gasket with the position holes.
- Feed the power plug through the small rectangular hole on the lower right of the mounting plate.
- Place the mounting plate against the door, and secure the mounting plate. Attach the plate to outside lock housing with three screws through the door.

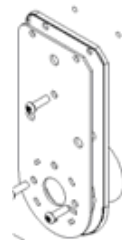


Fig. 4

**Step 4. Install inside lock housing**

- Plug the power cable into the inside lock housing.
- Place inside lock housing on top of the mounting plate.
- Ensure the square spindle into inside lever hub. Secure the inside lock housing with two screws.

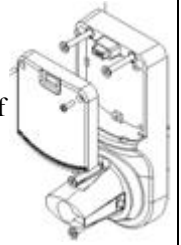


Fig. 5

**Step 5. Install inside lever door handle.**



Fig. 6

- Slide the inside lever into place until it snaps over the catch pins.

**Step 6. Install outside lever door handle**

- Ensure override slot inside the cylinder housing is in a vertical position (use a flat screw driver to adjust the position if needed)

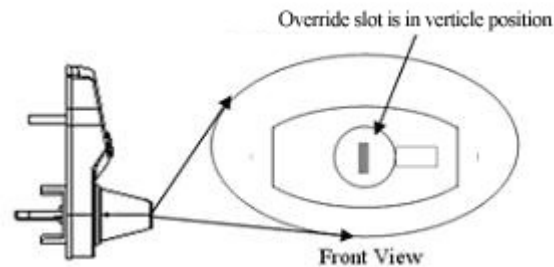


Fig. 7

- Remove the key from the key cylinder and place the cylinder within the outside lever compartment so the key hole shows through the circular opening in the handle.
- Insert the key into the key hole so the handle is between the cylinder & key.
- Guide the key cylinder & handle half way onto the cylinder housing. Turn the key 90 degrees clockwise so the tail piece on the key cylinder is vertical. Now push the handle until it snaps over the lever catch pins.
- Turn the key counter-clockwise 90 degrees and pull the key out.

**Step 7. Install Strike plate**

- Insert the dust boot into the doorframe.
- Place the strike plate over the dust boot.
- Secure the plate with two screws.

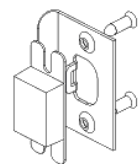
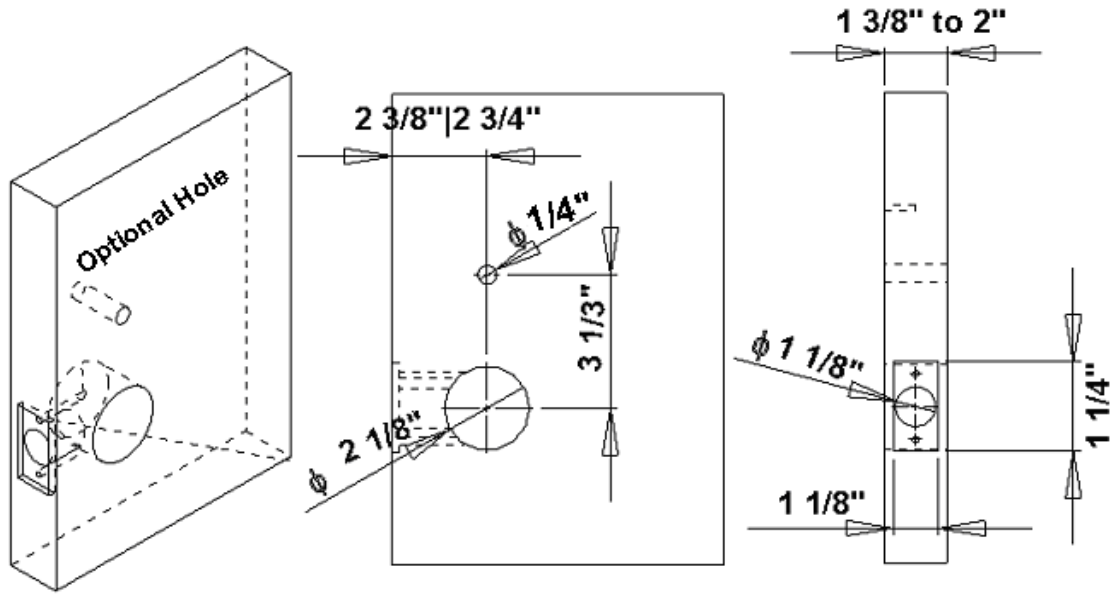
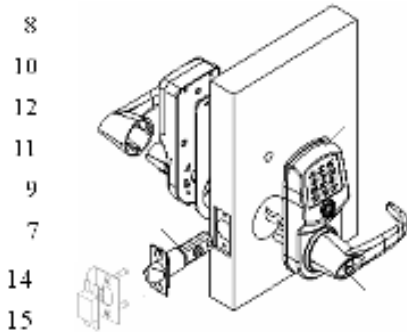
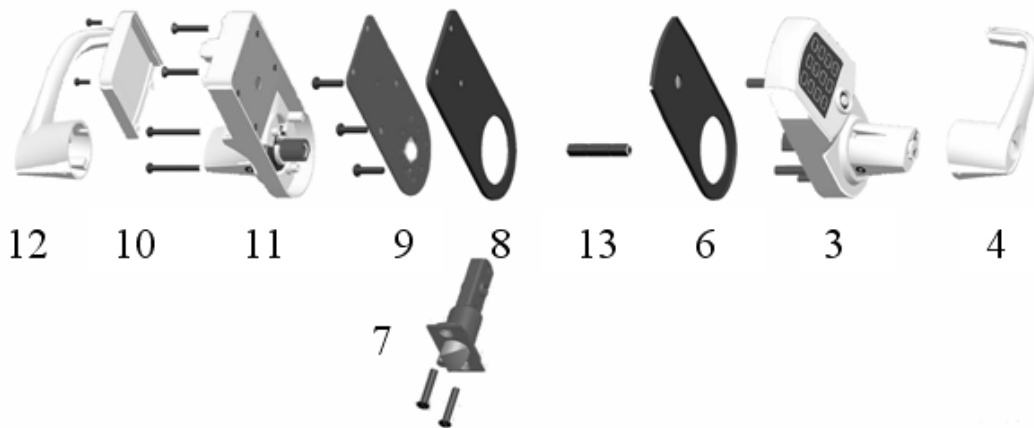


Fig. 8



Parts List



1	iButton Reader	9	Inside Mounting Plate
2	Keypad	10	Batteries Housing Cover
3	Outside Lock Housing	11	Inside Lock Housing
4	Outside Lever	12	Inside lever
5	Override Cylinder	13	Spindle
6	Outside Gasket	14	Strike Plate
7	Latch	15	Dust Boot
8	Inside Gasket		

